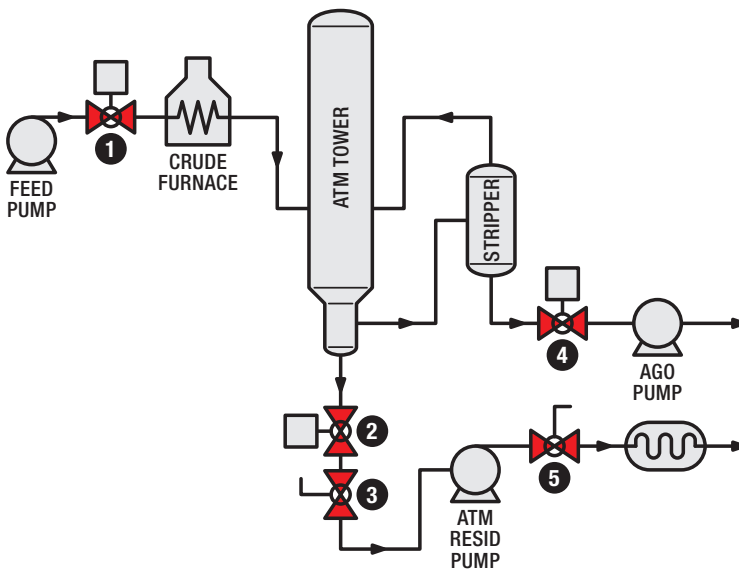


Atmospheric Distillation										
Valve Number	Valve Description	Design Temperature Range		Design Pressure Range		Pipe Size		Recommended Valve ¹		
		deg F	deg C	psig	bar g	inches	dn	C-Series	ISOLATOR 2.0	FlexStream®
1	Feed Isolation	400 – 600	204 – 316	100 – 200	5 – 15	6 – 10	150 – 250		●	
2	Atmospheric Bottoms EBV	600 – 720	316 – 382	100	6	10 – 18	250 – 450	●		
3	Atmospheric Bottoms Pump Isolation	600 – 720	316 – 382	100	6	8 – 14	200 – 350	●		
4	Atmospheric Gas Oil Stripper EBV	600 – 720	316 – 382	100	6	6 – 10	150 – 250	●		
5	Atmospheric Bottoms Exchanger Isolation	600 – 720	316 – 382	300	20	6 – 10	150 – 250	●		

¹ Recommend ISOLATOR 2.0 if size, pressure and temperature conditions are met.



Typical operating conditions are:

- High temperature
400 – 720° F (204 – 382° C)
- Coking service
- Temperature cycling
- Erosive conditions