

Valves for Power

Valve Schematics for
Fossil Fuel Plants

MOGAS Industries, Inc.

Headquarters

14330 East Hardy Street
Houston, TX, USA 77039-1405

Phone: +1.281.449.0291

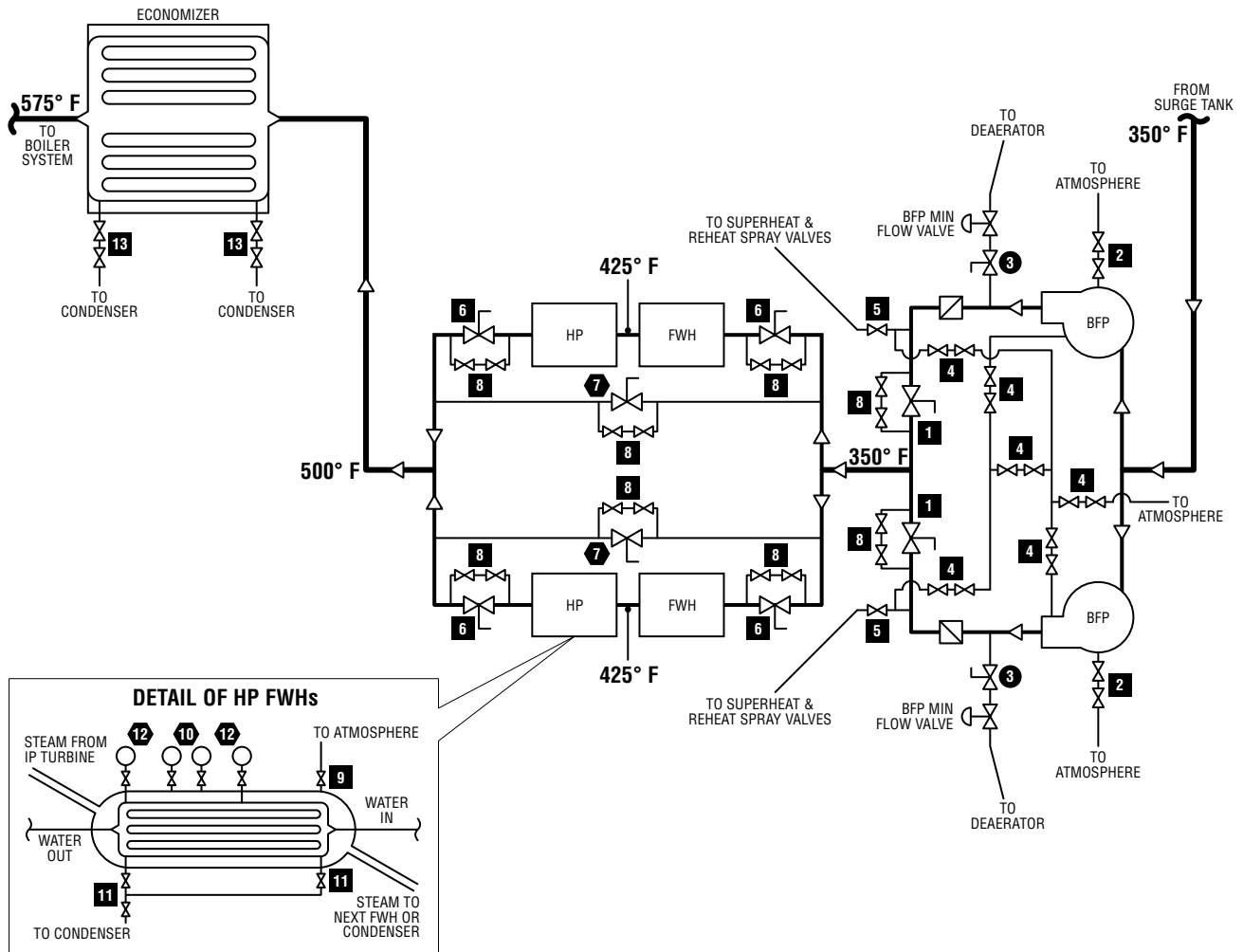
Fax: +1.281.590.3412

E-mail: mogas@mogas.com

www.mogas.com

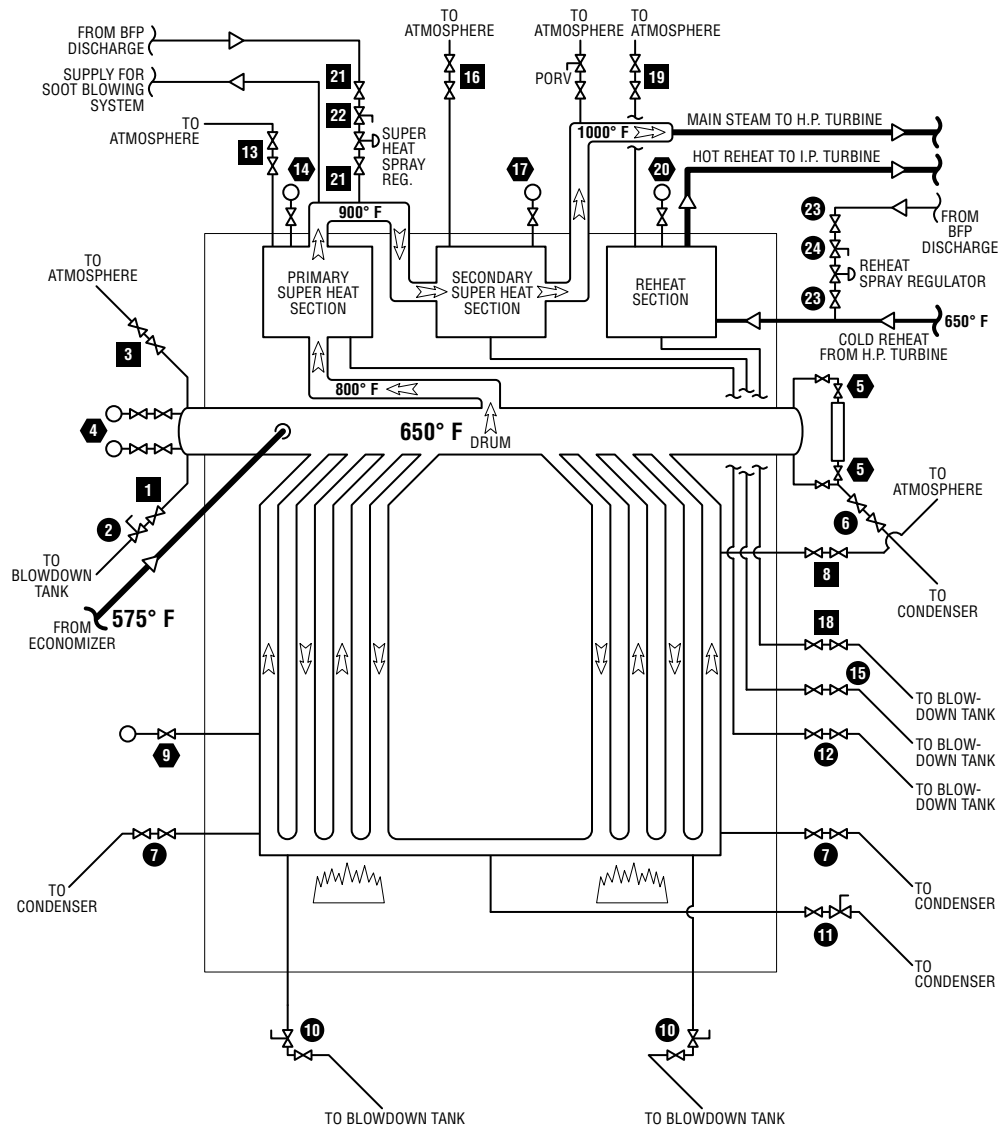
MOGAS[®]
SEVERE SERVICE BALL VALVES

HP FEEDWATER SYSTEM



Valve No.	Application
1	BFP Discharge Isolation Valves
2	BFP Shell or Case Drain Valves
3	BFP Min Flow Isolation Valves
4	BFP Warming Line Isolation & Drain Valves
5	Root Isolation valves for Reheat and Superheat Spray water Supply
6	HP Feedwater Heater Isolation Valves
7	HP Feedwater Heater Bypass Isolation Valves
8	Bypass valves for Valves #'s 1, 6, & 7
9	HP FWH Shell Side Vent Valves
10	HP FWH Shell Side Instrument Isolation Valves
11	HP FWH Tube Side Drain Valves
12	HP FWH Tube Side Instrument Isolation Valves
13	Economizer Drains

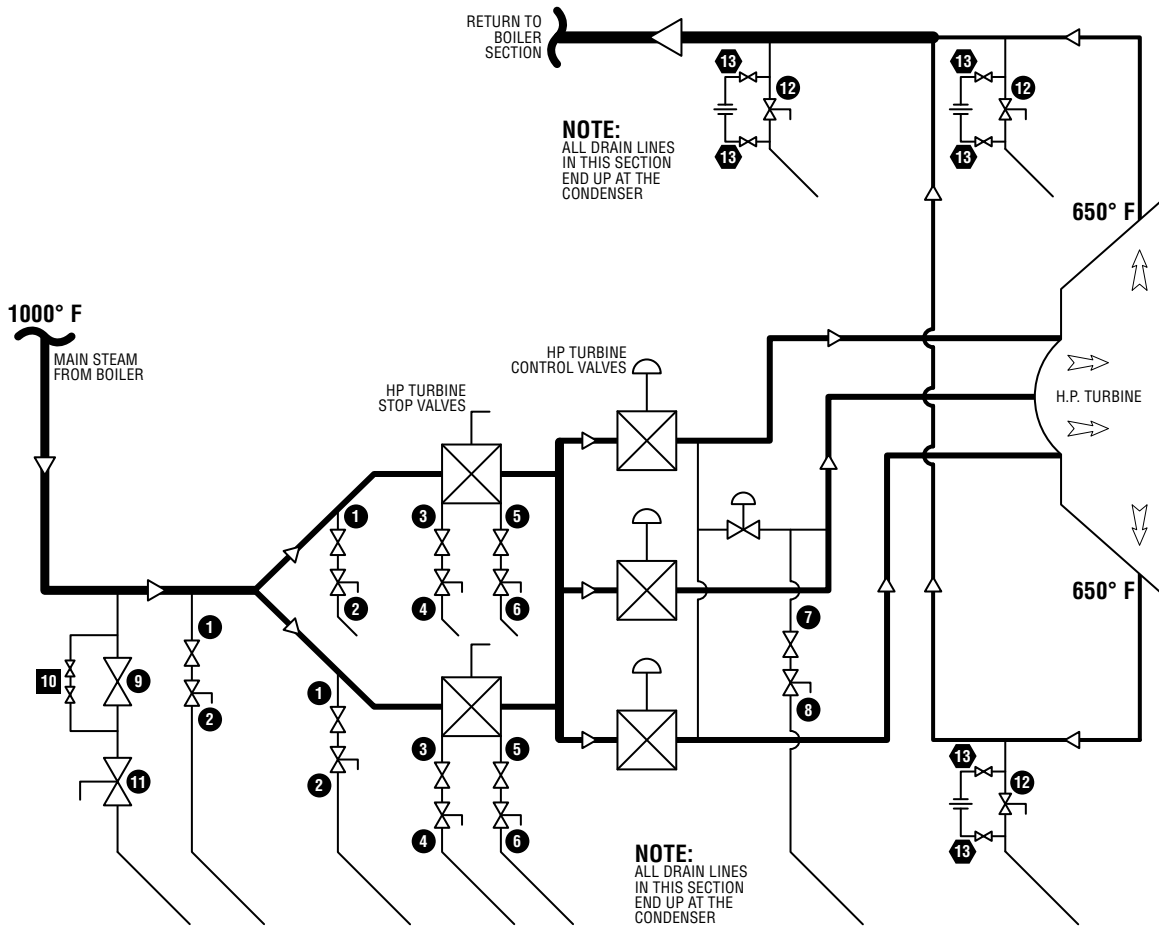
BOILER SYSTEM



Valve No.	Application
1	Drum Blowdown Root Valves
2	Drum Blowdown Valve
3	Drum Vent Valves
4	Drum Instrument Isolation Valves
5	Sight-Glass Isolation Valves
6	Sight-Glass Drain Valves
7	Water Wall Drain Valves
8	Water Wall Vent Valves
9	Water Wall Instrument Isolation Valves
10	Tandem Blowdown Valves
11	Mass Boiler Blowdown Valves
12	Primary Superheat Drain Valves

Valve No.	Application
13	Primary Superheat Vent Valves
14	Primary Superheat Instrument Isolation Valves
15	Secondary Superheat Drain Valves
16	Secondary Superheat Vent Valves
17	Secondary Superheat Instrument Isolation Valves
18	Reheat Drain Valves
19	Reheat Vent Valves
20	Reheat Instrument Isolation Valves
21	Superheat Spray Blocking Valves
22	Superheat Spray Automated Isolation Valve
23	Reheat Spray Blocking Valves
24	Reheat Spray Automated Isolation Valve

HP TURBINE STEAM SUPPLY & EXTRACTION SYSTEMS



Valve No.	Application
1	Main Steam Drain Root Valves
2	Main Steam Drain Valves
3	Main Steam Before Seat Drain Root Valves
4	Main Steam Before Seat Drain Valves
5	Main Steam After Seat Drain Root Valves
6	Main Steam After Seat Drain Valves
7	Main Steam Lead Drain Root Valve
8	Main Steam Lead Drain Valve
9	Turbine By-Pass Isolation Valve
10	By-Pass valves for the above valve
11	Turbine By-Pass Valve (SD Valve)
12	Cold Reheat Drain Valves
13	Isolation Valves for the Orifice on the By Pass line around the above Valves